

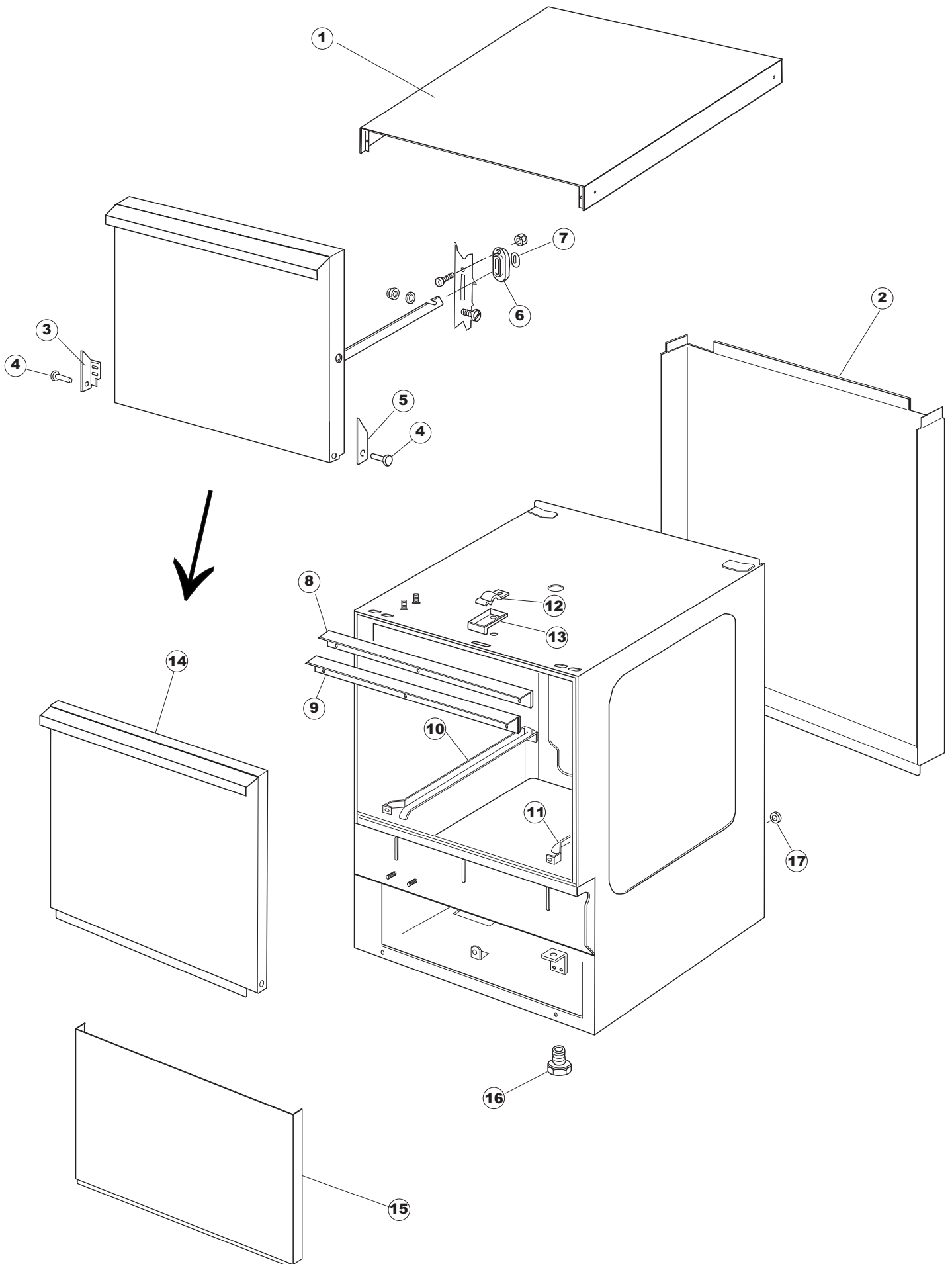
# GREENWASH

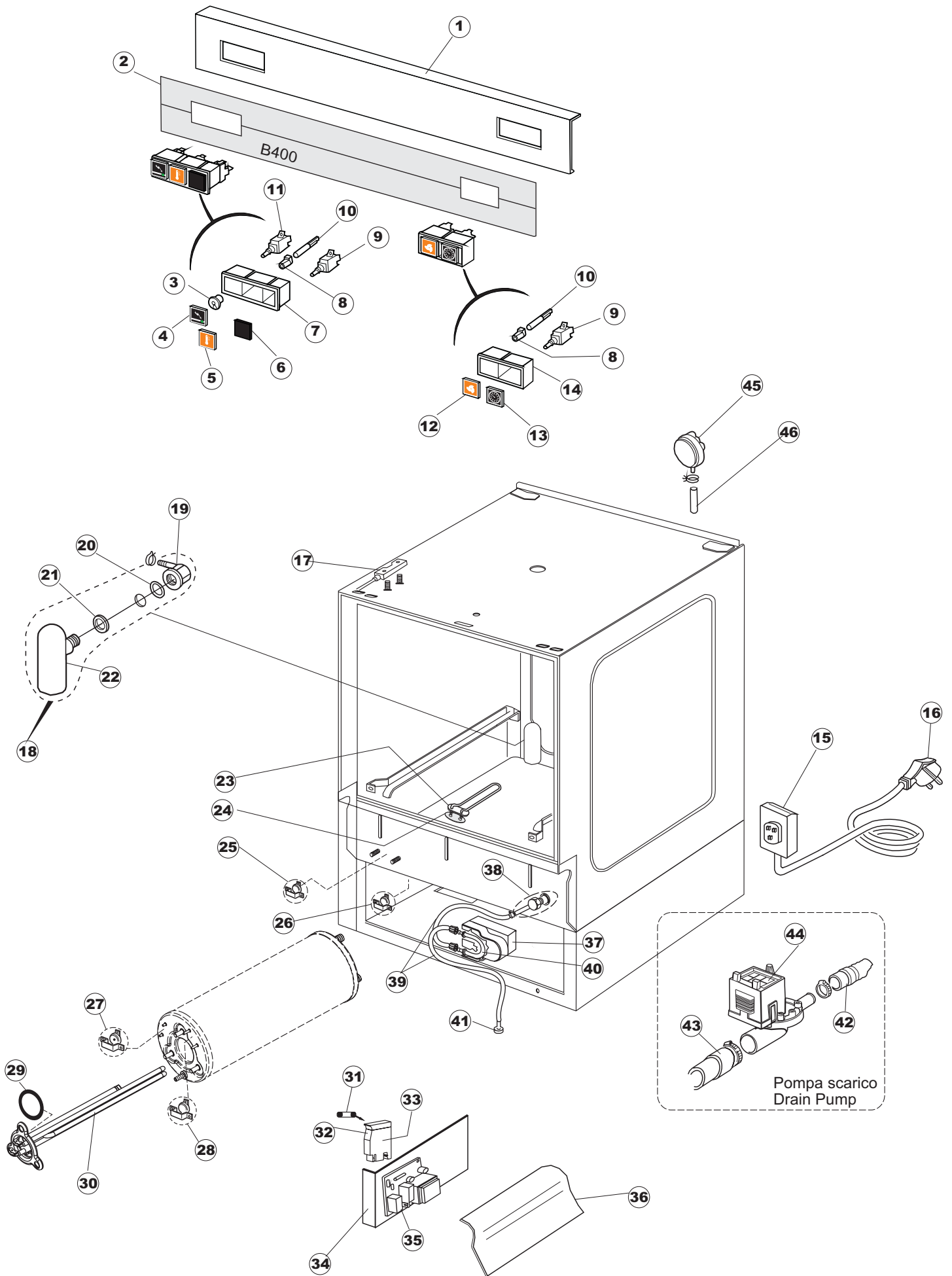
**SPARE PARTS CATALOGUE  
ERSATZTEILKATALOG  
CATALOGUE PIECES DETACHEES  
CATALOGO PARTI RICAMBIO  
CATALOGO DE PIEZAS DE RECAMBIO  
CATALOGO PEÇAS DE REPOSIÇÃO**

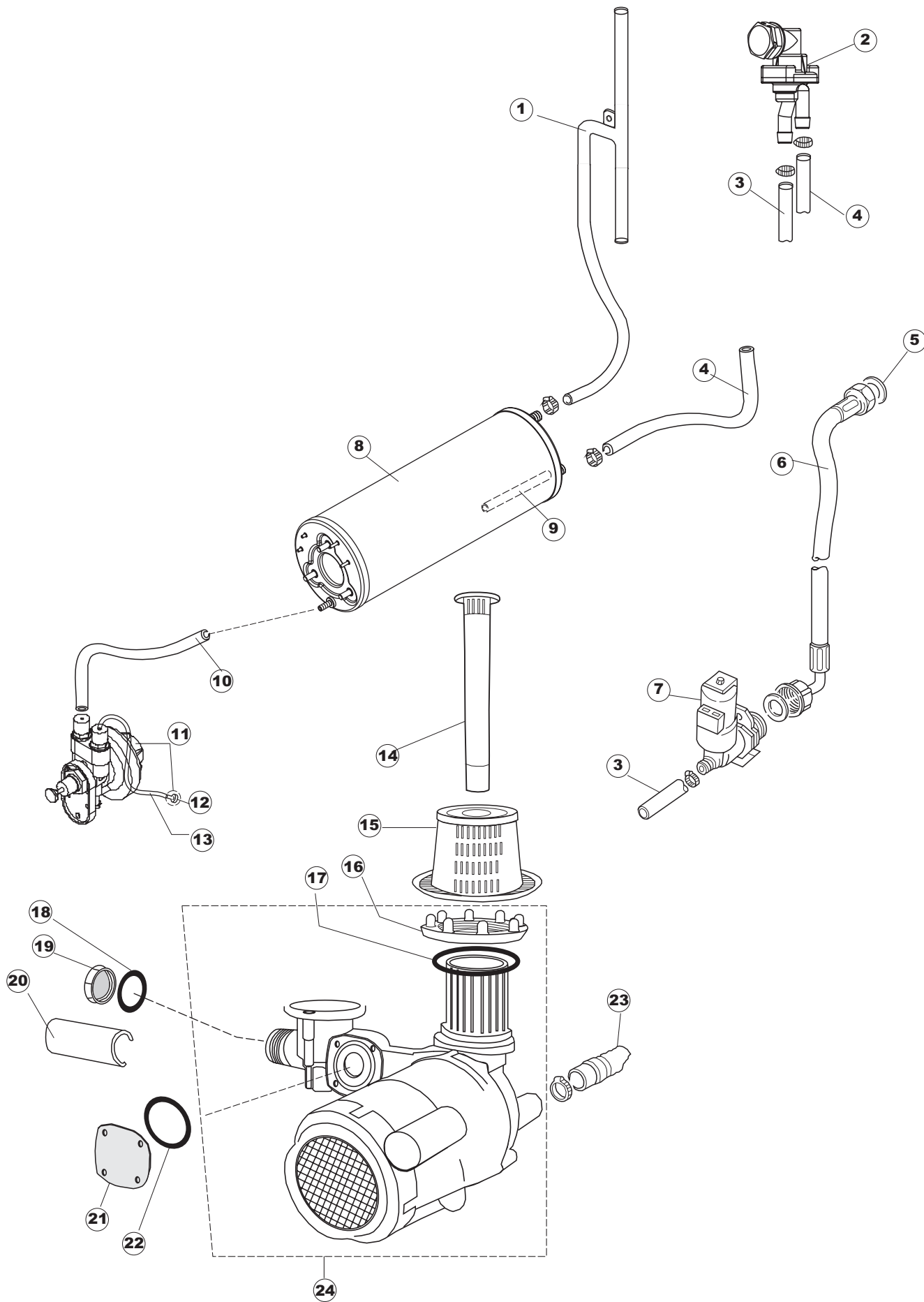
**B400  
B400SL**

**07-07-2010**

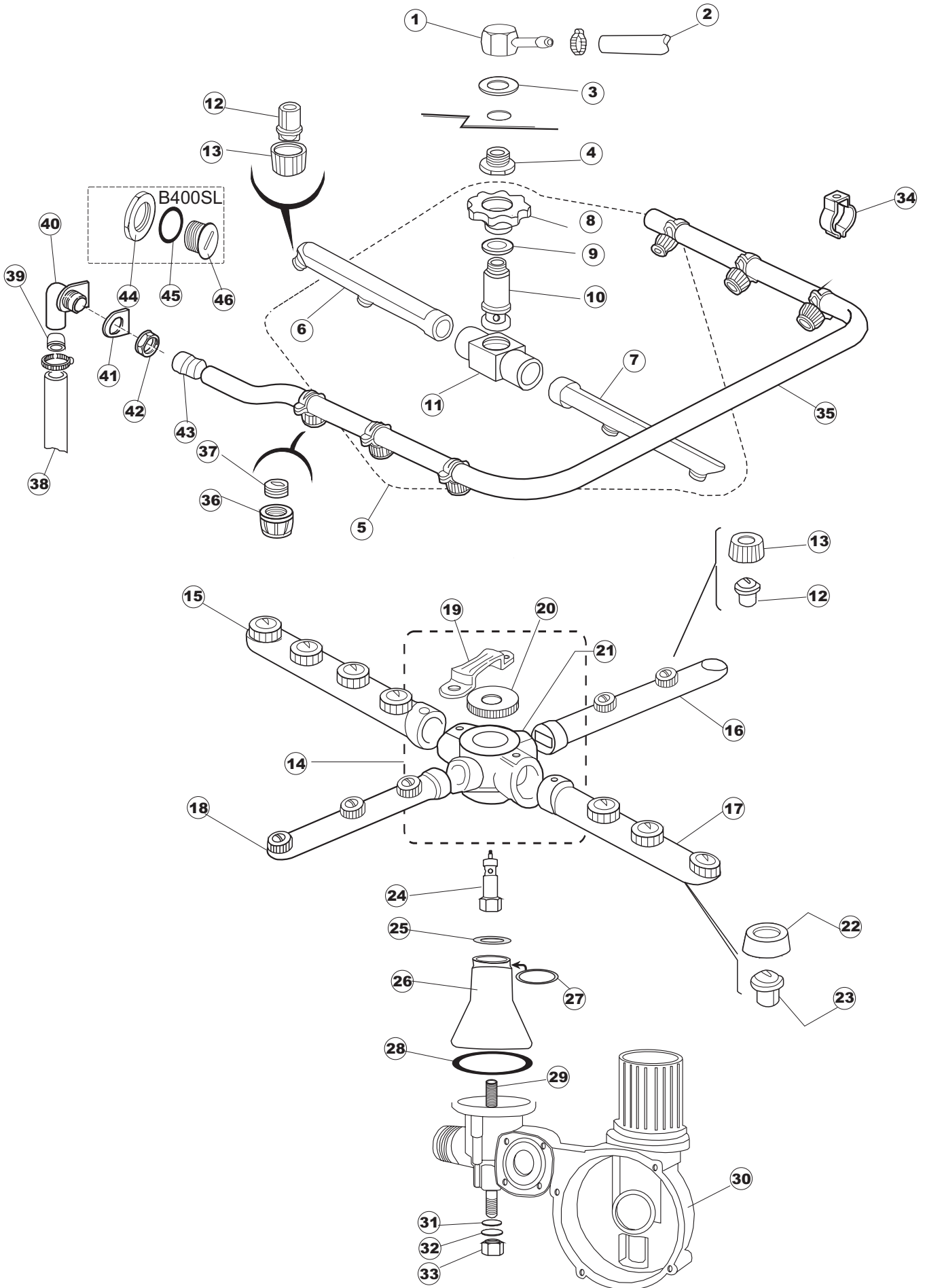
# 1

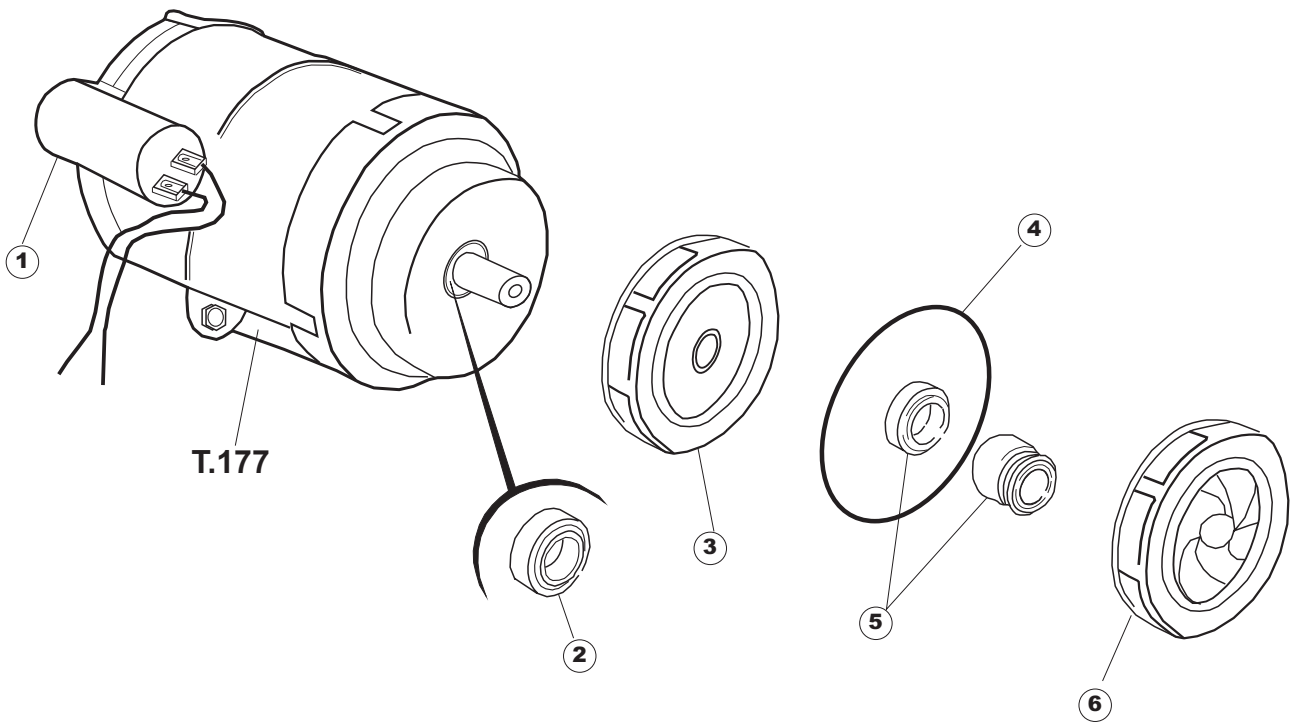






# 4





Page	Spare part position	Code number	Old code number	Description
1	1	004090	REB004090	COVER G16/E40.TERZ.
1	2	022128	REB022128	PANEL, REAR 40
1	3	311009	REB311009	HINGE, DOOR LH 35/40
1	4	325034	REB325034	PIN, DOOR HINGE - 40
1	5	311008	REB311008	HINGE, DOOR RH 35/40
1	6	307005	REB307005	DOOR-LEDGE, FOR ROD - 40
1	7	028078	REB028078	PLATE, DOOR LEDGE 40/403
1	8	437058	REB437058	GASKET, DOOR - 40
1	9	033294	REB033294	BRACKET, FIXED FOR DOOR GASKET 40
1	10	015039	REB015039	GUIDE, BASKET LH 403/40
1	11	015038	REB015038	GUIDE, BASKET RH 403/40
1	12	449036	REB449036	SPRING, LOCK 11
1	13	329012	REB329012	DOOR LOCK TAB overs. 11
1	14	029200	REB029200	DOOR, ASSY - FOR GLASSWASHER
1	15	012188	REB012188	FRONT PANEL, OUTER E40/403
1	16	461010	REB461010	FOOT, HEX. S621-
1	17	459006	REB459006	FAIRLEAD, Di9/De16 22
2	1	025402		CONTROL PANEL
2	3	409001	REB409001	TWO-COLOUR CAM, BLACK OFF / GREENE ON
2	4	227031	REB227031	KEY, BLACK Q5 SYMBOL LINE "C"
2	5	207009	REB207009	INDICATOR LAMP, ORANGE, SYMB.THERMOM. "A"
2	6	480059	REB480059	CAP, BLACK FOR SWITCH
2	7	226074	REB226074	SWITCH HOLDER SQ-3 BLACK
2	8	299035	REB299035	SUPPORT, LAMP 35/40/50
2	9	226071	REB226071	PB W/DOUBLE CONTACT 35/40/50
2	10	216006	REB216006	WARNING LAMP, WHITE
2	11	208010	REB208010	SWITCH, DOUBLE - 35/40/50
2	12	207007		INDICATOR LAMP, Q ORANGE, SYMB.CYCLE
2	13	227032	REB227032	KEY, BLACK Q7 SYMBOL CYCLE "D"
2	14	226073	REB226073	SWITCH HOLDER SQ-2 BLACK
2	15	459018		CABLE CLAMPS, ELECTRO TERMINAL KADO
2	16	299040	REB299040	PLUG, SCHUKO 90^ CABL. l=2.5mt
2	17	211002	REB211002	CONTACT, MAGNETIC+CABLE 302N.Ocm25
2	18	984005	REB984005	GRUPPO CAMPANA PRESSOST.35/40
2	19	468029	REB468029	UNION, PRESSURE SWITCH BELL
2	20	456020	REB456020	O-ring 3050 R495
2	21	437019	REB437019	GASKET, CAMP. PRESS. V.M.
2	22	107005	REB107005	PRESSURE SWITCH BELL EB 35/40
2	23	230098	REB230098	RESISTANCE, TANK 600W/230V
2	24	437086	REB437086	GASKET, TANK RESISTANCE
2	25	236035	REB236035	THERM.,CONT. TANK/L.60ø+/-3ø(2611573)
2	26	236047	REB236047	THERM.,CONT. TANK/S.95ø+/-3ø
2	27	236039	REB236039	THERM.,CONT. BOILER/S-110ø+/-5ø
2	28	236048	REB236048	THERM.,CONT. BOILER/L.80ø+/-3ø(2611354)
2	29	456075		OR 37,47X5,33 NBR
2	30	230113		HEATING ELEMENT 2600W/230V FL.PICCOLA P/BULBO
2	31	228010		FUSE
2	32	210010		FUSE-HODER
2	33	210011		PLATE
2	34	035045		BRACKET, BRACKET, E.35/40
2	35	215029		MAIN BOARD

2	36	214077		EL.PROTECTION,TRANSP. 44
2	37	209029		DOSAT.PERIST.DETERGENTE P/REGOLABILE
2	38	468151	DZR150NT	UNION, EXTRA DET. CPL NM * WELDED
2	39	143194	REB143194	PIPE 4x6 CRISTAL, TRANSP.
2	40	143258		TUBE 6X10
2	41	121143		DETERGENT PUMP FILTER (S6754)
2	42	143137	REB143137	PIPE, DRAIN D18 BENT TERM.
2	43	127054	REB127054	SLEEVE, DRAIN PUMP E35/40
2	44	130123	REB130123	DRAIN PUMP (450/D18/VICT.12/32)
2	45	224004	REB224004	PRESSURE SWITCH - 35/17
2	46	143013	REB143013	PIPE, PVC GREEN 4X7
3	1	143239		PIPE, H-)COND.LOW.
3	2	144010	REB144010	CHECK VALVE (EB) W/DRAIN UNION
3	3	143236		PIPE, -)DVGW
3	4	143237		PIPE, DVGW-)BOILER
3	5	437041	REB437041	GASKET 3/4 GAS LOAD
3	6	929169	RAT32	TUBO DI CARICO DEL TERMOPLASTICO
3	7	240011	REB240011	LOADING S.VALVE 1-WAY
3	8	104056		BOILER E35/40 RESISTENZA FLANGIATA
3	9	143228		PIPE, BOILER WATER INLET 8X9XL250
3	10	143005	SPG10	PIPE, PRESSURE SWITCH TP 5x11 (CASER/15/NL C4N)
3	11	209025		RINSE AID DISPENSING PUMP
3	12	121017		FILTER, RINSE-AID SUCT.
3	13	H.775601		PIPE 4x6 CRISTAL BLUE PVC
3	14	142051	REB142051	OVERFLOW E.35/40
3	15	121100	REB121100	FILTER, SUCT. FOR PUMP E.35/40
3	16	429065	REB429065	RING NUT, DRAIN E.35/40
3	17	437079	REB437079	GASKET, LOWER SHELL E35/40
3	18	437082	REB437082	GASKET, CAP CHIUSURA E35
3	19	480054	REB480054	WASH-CLOSING CAP - UPPER - E35
3	20	127053	REB127053	SLEEVE, UPP. DELIVERY E.40
3	21	480087	REB480087	CAP, LOWER BODY ASSB.
3	22	437078	REB437078	GASKET, DISPENSER E35/.UPP.RINSE
3	23	143120	REB143120	PIPE, DRAIN Mt1.5 / D25
3	24	999135	REB999135	GRUPPO CORPO LAVAGGIO+POMPA E40
4	1	468165	REB468165	LUG, PLASTIC UNION 35/40/22
4	2	143239		PIPE, H-)COND.LOW.
4	3	437078	REB437078	GASKET, DISPENSER E35/.UPP.RINSE
4	4	429050	REB429050	RING NUT, UNION PIPE FIX. 35
4	5	993031	REB993031	GRUPPO RISC.SUP.4 SPRUZZI S621
4	6	106035	REB106035	RINSE ARM, LH GREY S621
4	7	106036	REB106036	RINSE ARM, RH GREY S621
4	8	429008	REB429008	RING NUT, GUIDE AND RINSE FIX.S621
4	9	437008	REB437008	GASKET, UPPER RINSE
4	10	325001	REB325001	PIN, RINSE COMB 21/31
4	11	129002	REB129002	RINSE-ARM SUPPORT COMB, UPPER S621
4	12	140007	REB140007	SPRAY S621-3-31-
4	13	429006	REB429006	RING NUT, RINSE S621-3-31-3
4	14	990104		GRUPPO LAVAGGIO RISC.E40 NM
4	15	106112		WASHING ARM (TYPE.B) E.40
4	16	106114		RINSE ARM, (TYPE.B) E.40
4	17	106111		WASHING ARM (TYPE.A) E.40
4	18	106113		RINSE ARM, (TYPE.A) E.40
4	19	412028		SAFETY STOPPER, PAWL E.35/40
4	20	454004	CVG5E	POWL, FOR COMB CLAMP. (CVG5E) D24.5
4	21	129056		WASH/RINSE RINSE-ARM SUPP.COMB EB E35/40 NM

4	22	429007	REB429007	RING NUT, WASHING S621-3-31-3
4	23	140020	REB140020	SPRAY, GREY 11/353/403
4	24	325064	REB325064	PIN, LOW.COMB E.35/40
4	25	199052	REB199052	DISC, WATER FLOW REDUCER E35/40
4	26	115110	REB115110	CENTR.PIPELINE - E.35/40 NM
4	27	303018	REB303018	RING, SEAL AND SLIDING CL.3
4	28	456061	REB456061	O-ring 153
4	29	478056	REB478056	SUPPORT, COMB PIN E.35/40
4	30	111023	REB111023	LOWER ASSB. E35/40
4	31	456019	REB456019	O-ring 2037
4	32	456006	REB456006	O-ring 3043
4	33	417104	REB417104	NUT, BRASS E.35
4	34	449045	REB449045	SPRING, FIX, UPP.WASH.
4	35	129053		COMB, UPP.WASH., PLASTIC E.40 CPL.
4	36	140010	REB140010	SPRAY, UPP. S621-3-
4	37	119003	REB119003	THREADED IMPELLER, WASHING
4	38	127053	REB127053	SLEEVE, UPP. DELIVERY E.40
4	39	199051		INSERT FOR UPPER PLAST.WATER E40
4	40	111026		MANIFOLD, UPPER WASHING E.40
4	41	437080		GASKET, UNION, UPP.WASH.E.40
4	42	417038	REB417038	NUT, TO FIX WASH.MANIFOLD
4	43	441010		INSERT, SEAL D18 COLL.S621-
4	44	417123		SHAFT FIXING COUNTERNUT
4	45	456071		OR D.I.24X2.5 ART.34916
4	46	480149		CUP
5	1	206009	REB206009	CONDENSER - 6.3 mF T172
5	2	314009	REB314009	BEARING 608/ZZ T171.172
5	3	315024		FLANGE, E35/40 T176-177 W180/210
5	4	456074		O-RING PACKING FOR WASH-PUMP FOR GLASS- WASHERS
5	5	141007	REB141007	SEAL, MECH..D.26x13x5,5 BR.